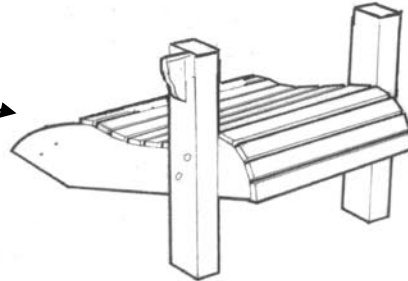
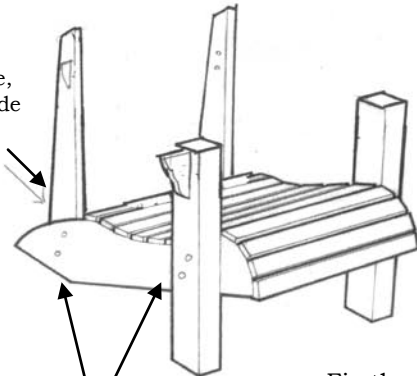


Contents. 1 base, 1 back, 2 front legs. 2 rear legs. 2 arms, 1 pack :- 8 allen key nuts, 4 long bolts 4 nylon washers, 4 short bolts, 4 brass washers, 12- 2" screws & cups, 2 - 3" screws & cups. You need a **good Flat head** screwdriver.

Fix the front legs to the base with the long bolts. Push the bolts through from the inside of the base, nylon washer under the head of the bolt. Push the allen key nuts into the recessed holes in the legs and loosely locate.



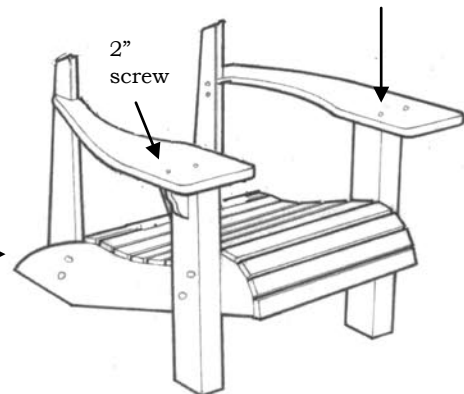
Note, inside



Allen key nuts

Fix the rear legs to the **inside** of the base with the short bolts, brass washer under the head. Brackets facing out. Do not tighten yet.

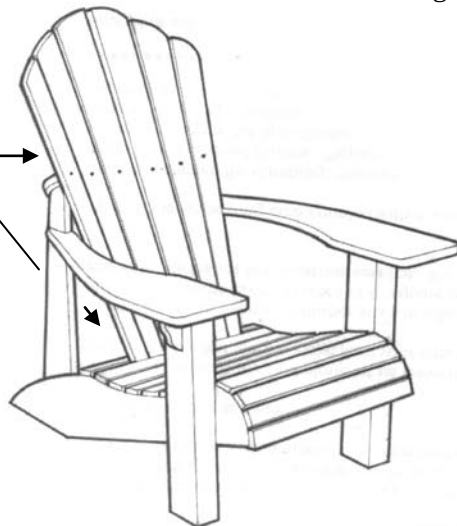
Fix the arms to the front legs with 3" cups & screws and 2" cups & screws to the brackets and rear legs.



3" screw

2" screw

2" screw



Place the back in the notch in the base, Line up the holes in the top support and rear legs, insert 2" screws. Line up the holes in the bottom support & the holes in the base insert screws & tighten. Tighten all nuts and screws. Periodically check nuts and screws for tightness.

A wash down with water will keep your chair clean. If you would like to keep the colour of new cedar you will need to apply 3 or 4 coats of Danish oil, following the manufacturers instructions.

Do NOT allow ferrous metal, (i.e. wire wool) to come in contact with cedar it will send it irreversibly black.